

BUILT TO PERFORM IN DEMANDING APPLICATIONS.

FGC35K-FGC70K

7,000 – 15,500 LB CAPACITY CUSHION TIRE FORKLIFT

1. Comfortable

Enhanced Ergonomics

From the full-suspension seat to its full tilt steering column, this forklift was designed for optimal comfort during long shifts – ensuring maximum productivity all day long.

Easy Entry And Exit

Three-point access into the truck with the low open step, elongated grab bar and wrapped steel hip restraints offers convenient entry and exit into the cab.

2. Productive

Powerful Movement

The PSI 4X 4.3 liter V6 engine is designed for demanding conditions. Meeting strict CARB and EPA emissions standards, the forklift's engine performs at top levels, while offering excellent fuel economy.

Customizable Design

Options like the short turning radius and paper handling package will optimize the truck systems to suit your application.

3. Smart

Easy Service Access

Tool-free access to the engine compartment makes routine maintenance, such as cleaning the radiator, much easier. The benefit is increased uptime for your operation.

Smart Technology

The forklift is equipped with a transmission interlock indicator and mast and auxiliary hydraulic lockout to help prevent improper use of the truck.

4. Efficient Design

Increased Awareness

The narrow mast channels and two forward work lights help expand the operator's range of vision. Additional light, strobe and signal options can also be added to meet the application's specific needs.

Equipment Protection

With this feature, the forklift is designed to automatically monitor the engine oil pressure, transmission temperature and coolant temperature, helping to extend the life of the forklift.



CHARACTERISTICS			FGC35K		FGC40K		FGC40K (with STC option)		FGC45K C	
1	Capacity at rated load center	lb kg	7,000	3,500	8,000	4,000	8,000	4,000	10,000	4,500
2	Capacity at load center – distance	in mm	24	500	24	500	24	500	24	600
3	Power		LP gas		LP gas		LP gas		LP gas	
4	Tire type		cushion		cushion		cushion		cushion	
5	Wheels – number front / rear (x = driven)		2x / 2		2x / 2		2x / 2		2x / 2	
DIMENSIONS										
7	Maximum fork height with standard two-stage mast	in mm	120	3,050	120	3,050	120	3,050	114	2,890
8	Free fork height with standard two-stage mast	in mm	5.9	150	5.9	150	5.9	150	5.9	150
9	Forks, thickness x length x width	in mm	2.0x48.0x5.9	50x1,220x150	2.0x48.0x5.9	50x1,220x150	2.0x48.0x5.9	50x1,220x150	2.0x48.0x5.9	50x1,220x150
10	Fork spacing – out-to-out minimum / maximum	in mm	13.5 / 41.0	342 / 1,042	13.5 / 41.0	342 / 1,042	13.5 / 41.0	342 / 1,042	13.5 / 41.0	342 / 1,042
11	Tilt, forward / backward	deg	5 / 10		5 / 10		5 / 10		5 / 10	
12	Length to fork face	in mm	98.8	2,510	100.4	2,550	94.9	2,410	103	2,620
13	Overall width with standard tires	in mm	46.5	1,180	46.5	1,180	46.5	1,180	46.5	1,180
14	Overall width with wide-stance standard tires	in mm	50.0	1,270	50.0	1,270	50.0	1,270	50.0	1,270
15	Overall height to top of lowered mast	in mm	83.5	2,120	83.5	2,120	83.5	2,120	83.5	2,120
16	Seat height	in mm	47.2	1,200	47.2	1,200	47.2	1,200	47.2	1,200
17	Height to top of overhead guard	in mm	86.8	2,205	86.8	2,205	86.8	2,205	86.8	2,205
18	Overall height with extended mast	in mm	167.5	4,250	167.5	4,250	167.5	4,250	161	4,090
19	Minimum outside turning radius	in mm	88.0	2,235	90.0	2,285	82.3	2,090	92.1	2,340
20	Load moment constant	in mm	17.7	450	17.7	450	17.7	450	18.3	465
21	Minimum aisle – 90° stack – zero clearance w/o load	in mm	106	2,685	108	2,735	100.0	2,540	110	2,805
PERFORMANCE										
22	Travel speed, loaded / empty	mph km/h	11.8 / 12.1	19.0 / 19.5	11.8 / 12.1	19.0 / 19.5	11.8 / 12.1	19.0 / 19.5	11.5 / 12.1	18.5 / 19.5
23	Lift speed, loaded / empty	fpm m/s	106 / 112	0.54 / 0.57	106 / 112	0.54 / 0.57	106 / 112	0.54 / 0.57	76.8 / 82.7	0.39 / 0.42
24	Lowering speed, loaded / empty	fpm m/s	108 / 98.4	0.55 / 0.50	108 / 98.4	0.55 / 0.50	108 / 98.4	0.55 / 0.50	86.6 / 80.7	0.44 / 0.41
25	Drawbar pull – loaded at 1 mph (1.6 kph)	lb N	5,350	23,780	5,350	23,780	5,350	23,780	5,350	23,780
26	Drawbar pull – loaded maximum	lb N	6,170	27,460	6,170	27,460	6,170	27,460	6,170	27,460
27	Gradeability – loaded at 1 mph (1.6 kph)	%	37.0		33.0		32.0		27.0	
28	Gradeability – maximum, loaded / empty	%	42.0		37.0		36.0		30.0	
WEIGHT										
29	Empty	lb kg	11,550	5,240	12,280	5,570	12,470	5,655	14,260	6,470
30	Axle load with rated load – front	lb kg	16,340	7,710	18,180	8,580	18,210	8,630	20,925	9,495
31	Axle load with rated load – rear	lb kg	2,210	1,030	2,100	990	2,260	1,025	3,335	1,475
32	Axle load without load – front	lb kg	4,620	2,100	4,775	2,165	4,830	2,190	4,320	1,960
33	Axle load without load – rear	lb kg	6,930	3,140	7,505	3,405	7,640	3,465	9,940	4,510
CHASSIS										
34	Tire size – front (standard)	in	22 x 9 x 16		22 x 9 x 16		22 x 9 x 16 ^{1/1}		22 x 9 x 16	
36	Tire size – rear	in	18 x 7 x 12.1		18 x 7 x 12.1		18 x 7 x 12.1		18 x 7 x 12.1	
37	Wheelbase	in mm	62.0	1,575	62.0	1,575	62.0	1,575	62.0	1,575
38	Tread width – front (standard)	in mm	37.0	940	37.0	940	37.0	940	37.0	940
39	Tread width – front (standard, wide-stance)	in mm	40.9	1,040	40.9	1,040	40.9	1,040	40.9	1,040
40	Tread width – rear	in mm	38.6	980	38.6	980	38.6	980	38.6	980
41	Ground clearance at lowest point of mast*	in mm	3.9	100	3.9	100	3.9	100	3.9	100
42	Ground clearance at center of wheelbase	in mm	5.9	150	5.9	150	5.9	150	5.9	150
43	Service brakes		hydraulic with vacuum boost		hydraulic with vacuum boost		hydraulic with vacuum boost		hydraulic with vacuum boost	
44	Parking brakes		hand, mechanical		hand, mechanical		hand, mechanical		hand, mechanical	
ELECTRICAL										
45	Engine manufacturer and model		PSI 4X		PSI 4X		PSI 4X		PSI 4X	
46	Continuous output (S.A.E. gross)	HP kW	104.6	78.0	104.6	78.0	104.6	78.0	104.6	78.0
47		at rpm	2,600		2,600		2,600		2,600	
48	Maximum torque (S.A.E. gross)	lb-ft Nm	210	285	210	285	210	285	210	285
49		at rpm	1,000		1,000		1,000		1,000	
50	Displacement	cu in L	6 / 262	6 / 4.3	6 / 262	6 / 4.3	6 / 262	6 / 4.3	6 / 262	6 / 4.3
51	Transmission type		powershift		powershift		powershift		powershift	
52	Number of speeds, forward / reverse		1 / 1		1 / 1		1 / 1		1 / 1	
53	Battery	volts	12		12		12		12	
54	Relief pressure for attachments – 3-way valve	psi bar	2,900	200	2,900	200	2,900	200	2,900	200
55	Relief pressure for attachments – 4-way valve	psi bar	2,350	162	2,350	162	2,350	162	2,350	162
56	Noise level	dB(A)	83.5		83.5		83.5		83.5	

STC = Short Turning Chassis

*Varies depending on model selection and tire type

SAFETY STANDARDS

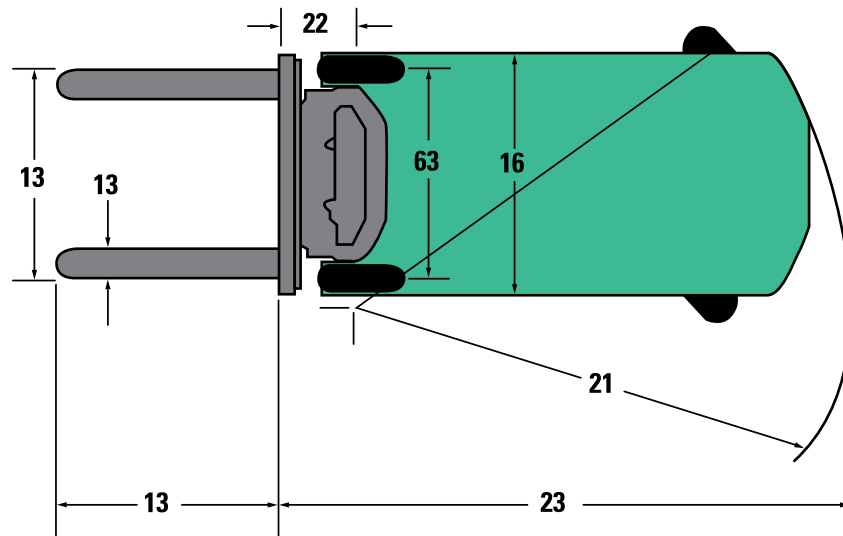
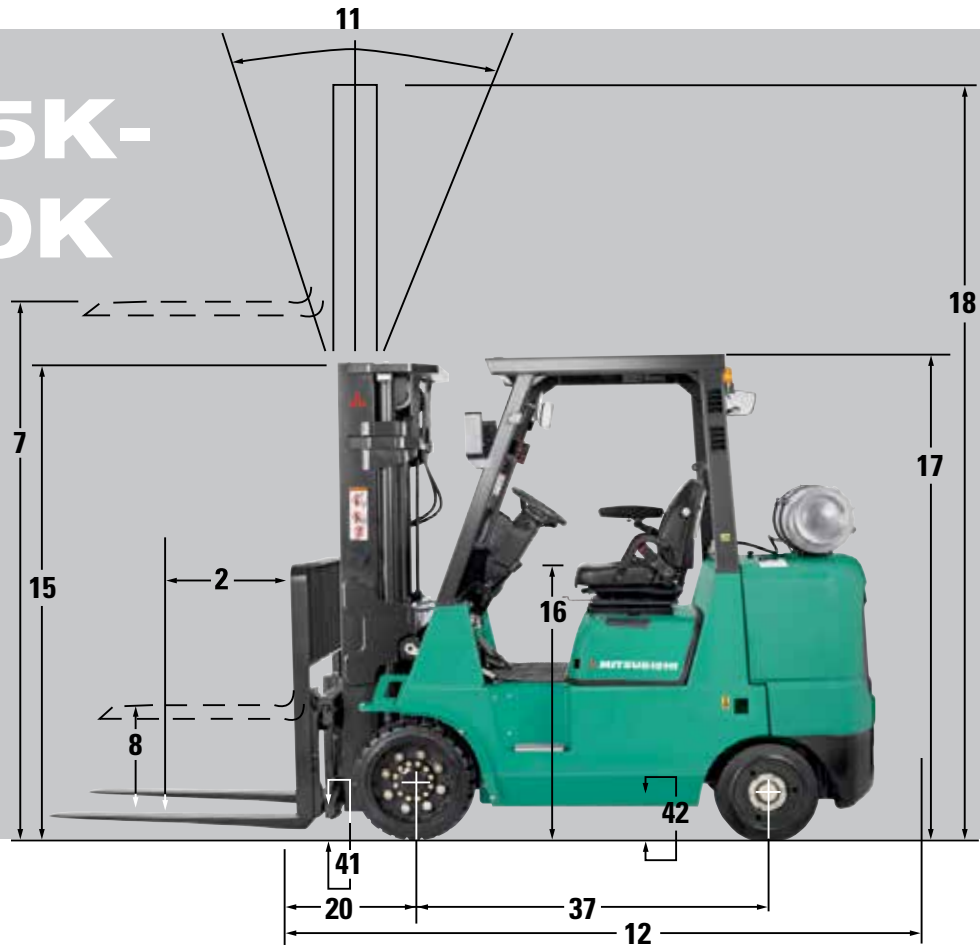
These trucks meet American National Standards Institute/Industrial Truck Standards Development Foundation, ANSI/ITSDF B56.1. UL-Classified by Underwriters Laboratories, Inc., as to fire and electric shock hazard only; Types LP, LPS (optional), Industrial Trucks. Users should be aware of, and adhere to, applicable codes and regulations regarding operator training, use, operation and maintenance of powered industrial trucks, including:

- ANSI/ITSDF B56.1.
- NFPA 505, fire safety standard for powered industrial trucks -type designations, areas of use, maintenance and operation.
- Occupational Safety and Health Administration (OSHA) regulations that may apply.

Specifications, equipment, technical data, photos and illustrations based on information at time of printing and subject to change without notice. Some products may be shown with optional equipment.

Call-out numbers shown in the diagram below correspond to the first column of the specifications chart.

FGC35K- FGC70K



CUSTOMIZED

TO YOUR APPLICATION'S UNIQUE REQUIREMENTS

Paper Application Package

Designed specifically for the unique requirements of the paper industry to maximize value and reduce the need for field modifications.

- Hydraulic lift line accumulator
- Load bearing clamp lockout
- Hydraulic flow control valve
- High pass through radiator
- Tandem transmission oil coolers
- Louvered radiator covers
- Carriage slider blocks
- Wrapped exhaust pipes
- Underbelly screen

Reverse Drive Package

Offers even greater operator comfort and productivity.

- Full suspension vinyl swivel seat
- Rear grab handle
- Adjustable armrest

Product Protection Package

Consists of options designed to significantly reduce damage to paper rolls during handling.

- Four-position pressure regulator
- Forward tilt lockout
- Drop stop valve
- Flexible fenders

Dust And Foundry Package

Includes strategically-placed breathers and filters to help keep harmful abrasives out of the internal systems.

- Elevated air intake pre-cleaner
- Magnetic drain plugs
- Dust-proof front axle breather
- Dust-proof hydraulic pump
- Brake booster filter



FGC35K-FGC70K

7,000 – 15,500 LB CAPACITY CUSHION TIRE FORKLIFT

Flexible Operation: Additional Options To Customize Your Forklift

1. Ground Speed Control

This feature allows you to set and enforce speed limits on your forklift fleet – especially helpful in applications with a large amount of pedestrian traffic.

2. Foot Directional Control

Ideal for high-cycle applications, this hands-free option allows the operator to control the forklift's direction by foot for added convenience.



Manufactured with superior quality and exceptional value, Mitsubishi forklift trucks are supported by an extensive dealer and field support network located throughout North and South America. Don't forget to ask your local Mitsubishi forklift truck dealer about details on factory retail programs, financing plans and additional options and dealer services like planned maintenance and operator training.



Copyright © 2016. All rights reserved. All registered trademarks are the property of their respective owners. Some products may be shown with optional equipment.